

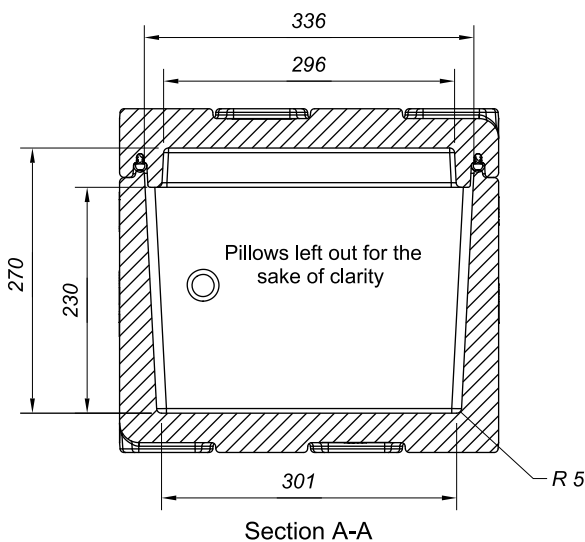
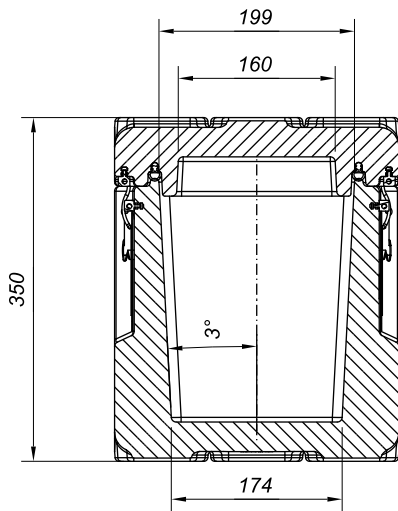
C2C CUBE 423



C2C Cube

Connecting cleanrooms.

C2C CUBE | 423



Cube specifications

Item number	4022.474.9940
Materials used	PELD, Fluorelastomer, Stainless steel
	<ul style="list-style-type: none"> • ISO class 5 • Tested and released according to ISTA & GID • Equipped with RFID tags • Cleanable label surface • Pillows of cleanroom fabric filled with LRPU foam
External dimensions	386 x 290 x 350 mm
Internal dimensions	296 x 160 x 270 mm
Net weight	4 kg

Content specifications

Max sensitivity	50 G on product
Target size product	240 x 100 x 120 mm
Max part size	280 x 145 x 160 mm
Pillow size	300 x 165 x 85 mm
Max part weight	5 kg*

Transport packaging

	<ul style="list-style-type: none"> • Cube packed in double antistatic LDPE bags • Packed cube inside corrugated carton • Corrugated carton on a pallet
Total weight	6 kg
Transport size	400 x 300 x 380 mm

*Higher weights possible at different G